

## SUMMARY



### # Wires

Low	5
High	0
Coax	0
Triax	0
Quad	0
Fiber	0
Fluidic	0

### Download

[Request a quote](#)

[Catalog](#)

Series	P
Termination type	Female solder
IP rating	50
Cable Ø	0.00 - 0.00 mm
Matching parts	PAG.M0.5GL.AC39R

## TECHNICAL DETAILS

### Mechanics

Shell Style/Model	PK*: Fixed receptacle with two nuts (back panel mounting)
Keying	1 key (alpha=0; Plug: male contact; Receptacle: female contact)
Housing Material	PSU (Polysulfone), gray
Cable Fixing	∅0 - 0 mm
Variant	R : Red front nut

### Performance

Configuration	1P.M05 : 5 Low Voltage
Insulator	
Rated Current	7 Amps

### Specifications

Contact Type:	Solder
Max. Matings:	2000
Contact Dia.:	0.9 mm (0.0354in)
Bucket Dia.:	0.8 mm (0.031in)
Max. Solid Conductor:	0.34 mm <sup>2</sup> (AWG 22)
Max. Stranded Conductor:	0.34 mm <sup>2</sup> (AWG 22)
R (max):	4.5 mOhm
Test voltage (kV rms) Contact-contact:	1.05

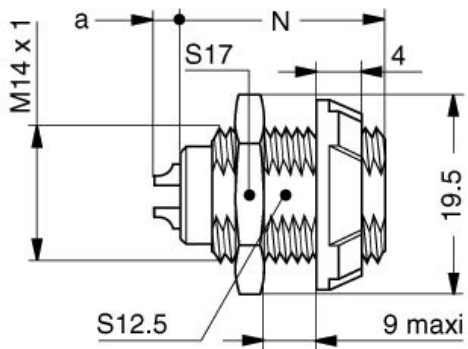
Air clearance min. (mm) or Creepage distance min. (mm): 0.8

## Others

F ret (min): 50 N  
F ret (max): 150 N  
IP Rating: 50

# DRAWINGS

## Draws



## Dimensions

	A	Lmax	N
mm.	19.5	25	22.2
in.	0,77	0,98	0,87

# RECOMMENDED BY LEMO

## Tools

None

## Cables