

SUMMARY



Wires

| | |
|---------|---|
| Low | 5 |
| High | 0 |
| Coax | 0 |
| Triax | 0 |
| Quad | 0 |
| Fiber | 0 |
| Fluidic | 0 |

Download

[Request a quote](#)

[Catalog](#)

| | |
|------------------|------------------|
| Series | P |
| Termination type | Female solder |
| IP rating | 50 |
| Cable Ø | 0.00 - 0.00 mm |
| Matching parts | PAG.M0.5GL.AC39A |

TECHNICAL DETAILS

Mechanics

| | |
|-------------------|---|
| Shell Style/Model | PK*: Fixed receptacle with two nuts (back panel mounting) |
| Keying | 1 key (alpha=0; Plug: male contact; Receptacle: female contact) |
| Housing Material | PSU (Polysulfone), gray |
| Cable Fixing | ∅0 - 0 mm |
| Variant | A : Blue front nut |

Performance

| | |
|---------------|------------------------|
| Configuration | 1P.M05 : 5 Low Voltage |
| Insulator | |
| Rated Current | 7 Amps |

Specifications

| | |
|--|-------------------------------|
| Contact Type: | Solder |
| Max. Matings: | 2000 |
| Contact Dia.: | 0.9 mm (0.0354in) |
| Bucket Dia.: | 0.8 mm (0.031in) |
| Max. Solid Conductor: | 0.34 mm ² (AWG 22) |
| Max. Stranded Conductor: | 0.34 mm ² (AWG 22) |
| R (max): | 4.5 mOhm |
| Test voltage (kV rms) Contact-contact: | 1.05 |

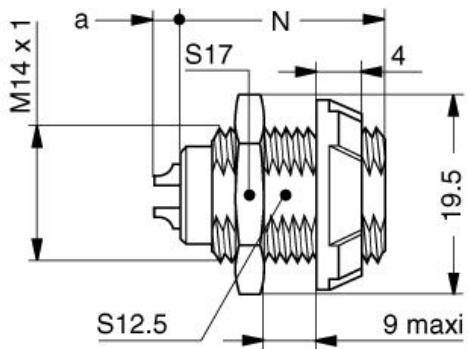
Air clearance min. (mm) or Creepage distance min. (mm): 0.8

Others

F ret (min): 50 N
F ret (max): 150 N
IP Rating: 50

DRAWINGS

Draws



Dimensions

| | A | Lmax | N |
|-----|------|------|------|
| mm. | 19.5 | 25 | 22.2 |
| in. | 0,77 | 0,98 | 0,87 |

RECOMMENDED BY LEMO

Tools

None

Cables